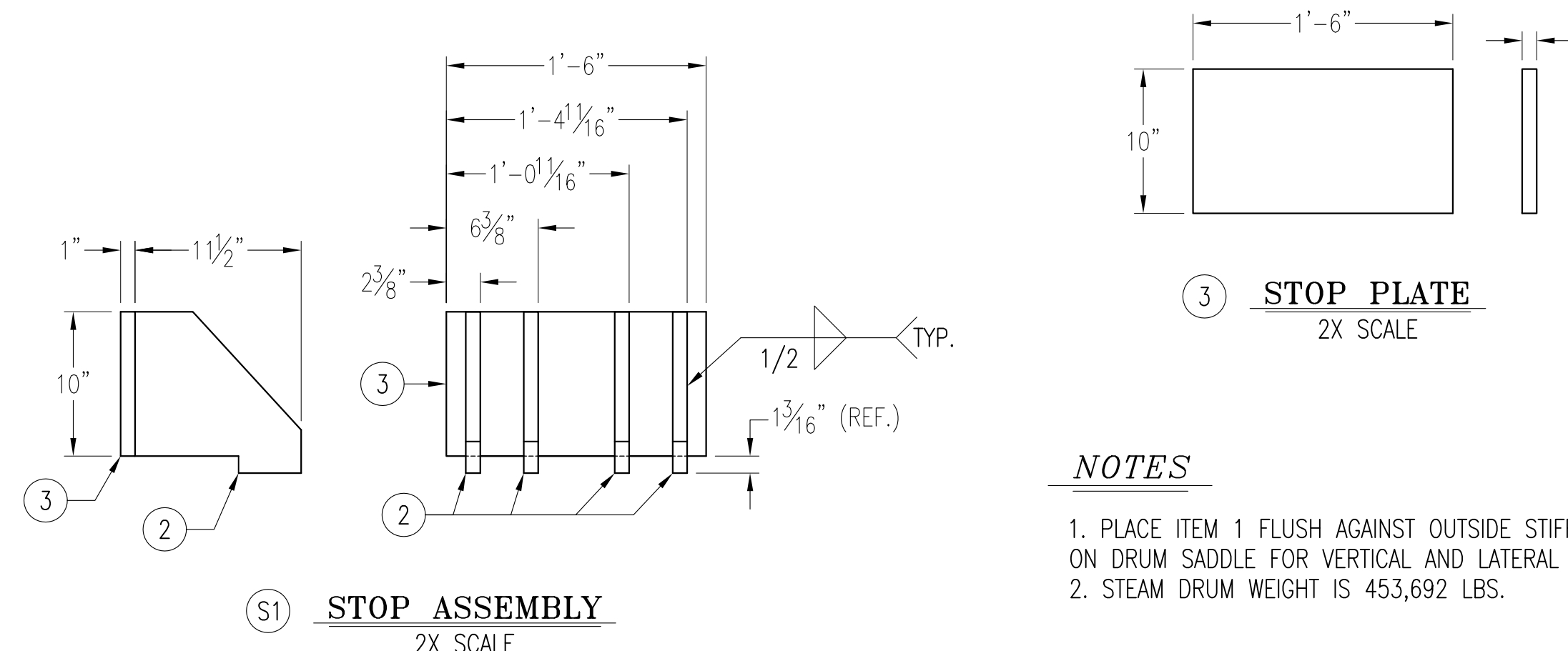


LAYOUT OF CAR DECK



NOTES

1. PLACE ITEM 1 FLUSH AGAINST OUTSIDE STIFFENER PLATE ON DRUM SADDLE FOR VERTICAL AND LATERAL SUPPORT.
2. STEAM DRUM WEIGHT IS 453,692 LBS.

| S1 STOP ASSEMBLY | 4 | 08-046-1-S1 |
|-------------------------------------|----------|------------------|
| DESCRIPTION | QTY. | PART NUMBER |
| ASSEMBLIES | | |
| 3 STOP PLATE - 1" x 10" x 1'-6" | A36 | 4 08-046-1-3 |
| 2 STOP PLATE - 1" x 11 1/2" x 1'-0" | A36 | 16 08-046-1-2 |
| 1 STOP PLATE - 1" x 2'-6" x 2'-6" | A36 | 8 08-046-1-1 |
| DESCRIPTION/BLANK SIZE | MATERIAL | QTY. PART NUMBER |

| LIST OF MATERIALS | | | |
|---|----------------|----------------------|----------------------------|
| COPYRIGHT 2008 TRANSPORTATION TECHNOLOGY SERVICES, INC. | | | |
| DRAWN: EDS | DATE: 10/28/08 | CHECKED: | DATE: |
| TOLERANCES: UNLESS NOTED: | | SCALE: 1=20 | NEXT ASSEMBLY NO. 08-046-1 |
| DIM'S: ± 1/8" | | DRAWING NO. 08-046-1 | SHT. 1/1 |
| ANGLES: ± 1° | | | |
| HOLE Ø: ± 1/32" | | | |

Transportation Technology Services
175 WESTWOOD DRIVE
Southlake, TX 76092

LOADING/TIEDOWN DRAWING OF STEAM DRUM