
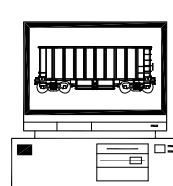


GENERAL SPECIFICATIONS

1. GROSS RAIL LOAD - 286,000 LBS
2. LOAD LIMIT - 226,900 LBS
3. LIGHT WEIGHT - 59,100 LBS
4. LIGHT CAR CENTER OF GRAVITY (@ 286 GRL) - 36"

| | | | | | | |
|--|--------|---|---|-------------------|-------------------|----------|
| COPYRIGHT 2008 TRANSPORTATION TECHNOLOGY SERVICES, INC. | | | | | | |
| DRAWN: | EDS |  <p>Transportation Technology Services 1723 E Southlake Blvd, Ste 100 Southlake, TX 76092</p> |  | | | |
| DATE: | 9/4/08 | | | | | |
| CHECKED: | EBT | | | | | |
| DATE: | 9/4/08 | | | | | |
| TOLERANCES: UNLESS NOTED: DIMS: ± 1/8" ANGLES: ± 1° HOLE Ø: ± 1/32" | | 52' - 6" GONDOLA | | | | |
| REV. | BY | DATE | SCALE: 1=24 | NEXT ASSEMBLY NO. | DRAWING NO. SALES | SHT. 1/1 |