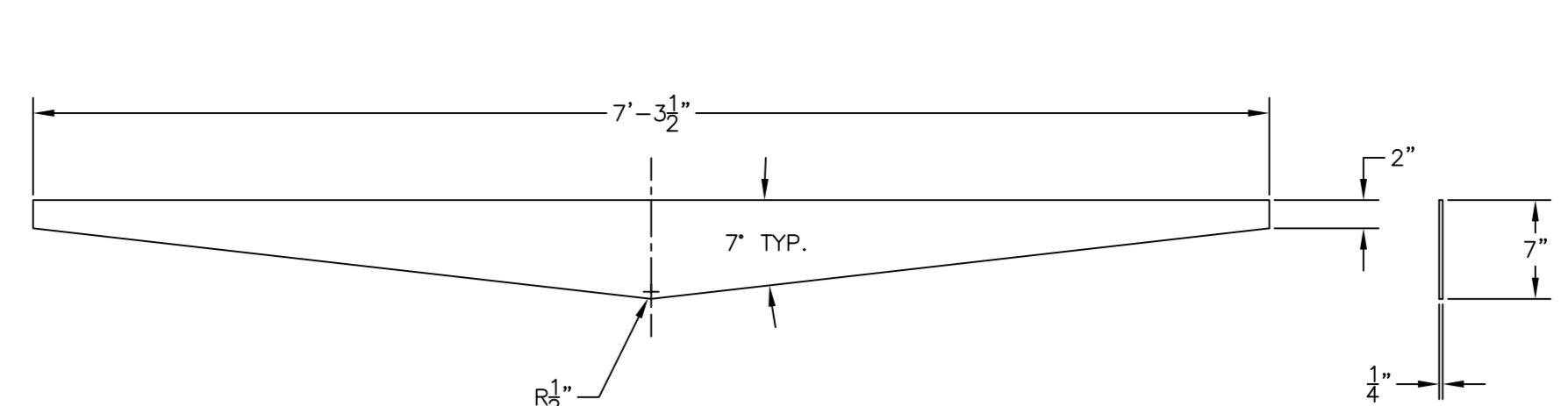
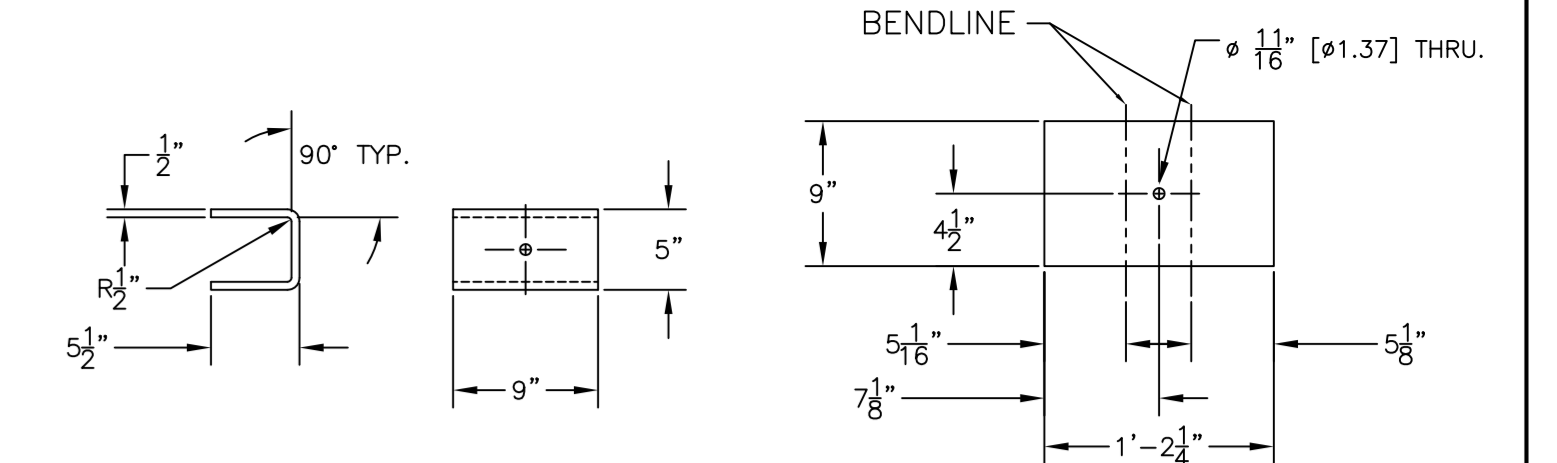


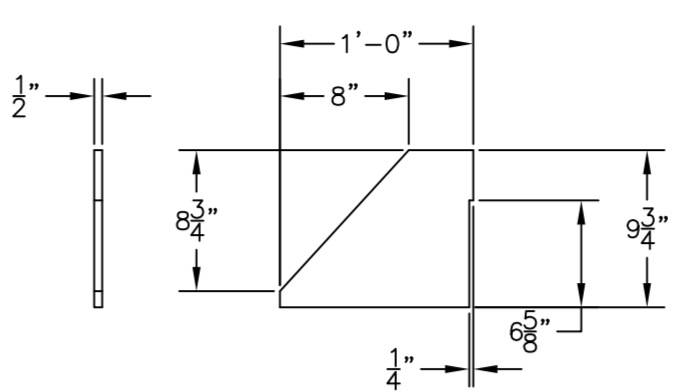
1 RISER CHANNEL



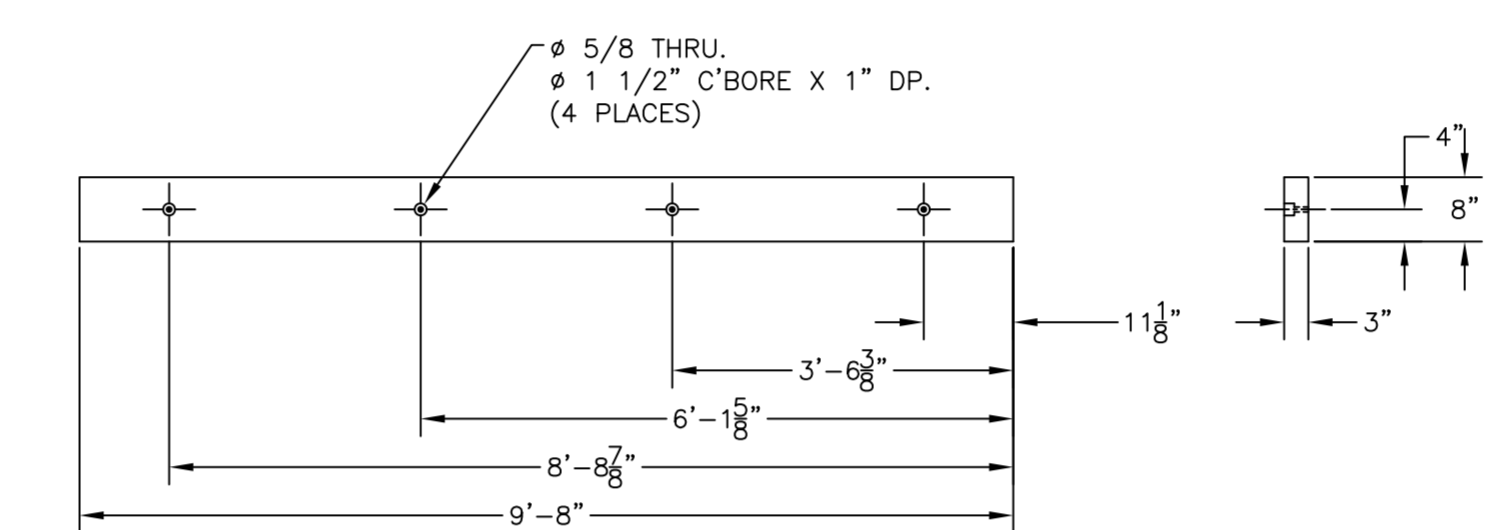
2 RISER SIDE SUPPORT
SCALE: 2X



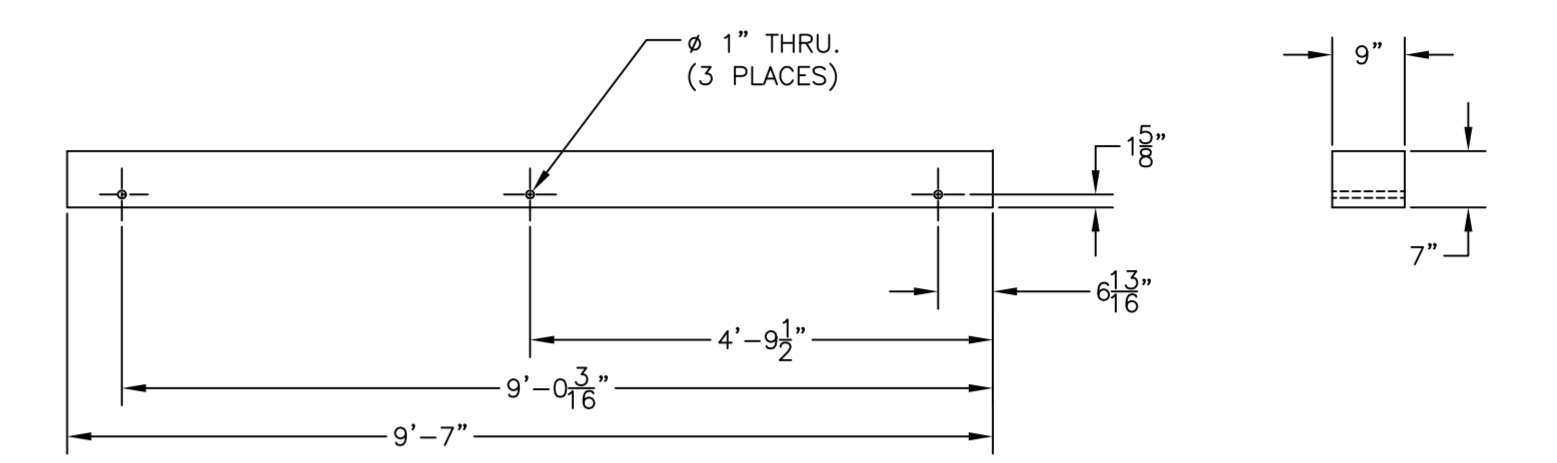
3 STAKE POCKET
SCALE: 2X



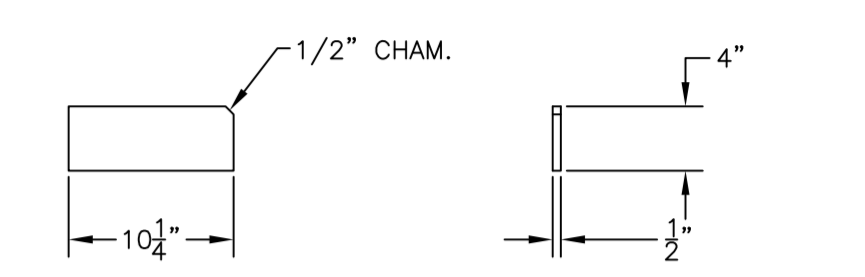
8 GUSSET
SCALE: 2X



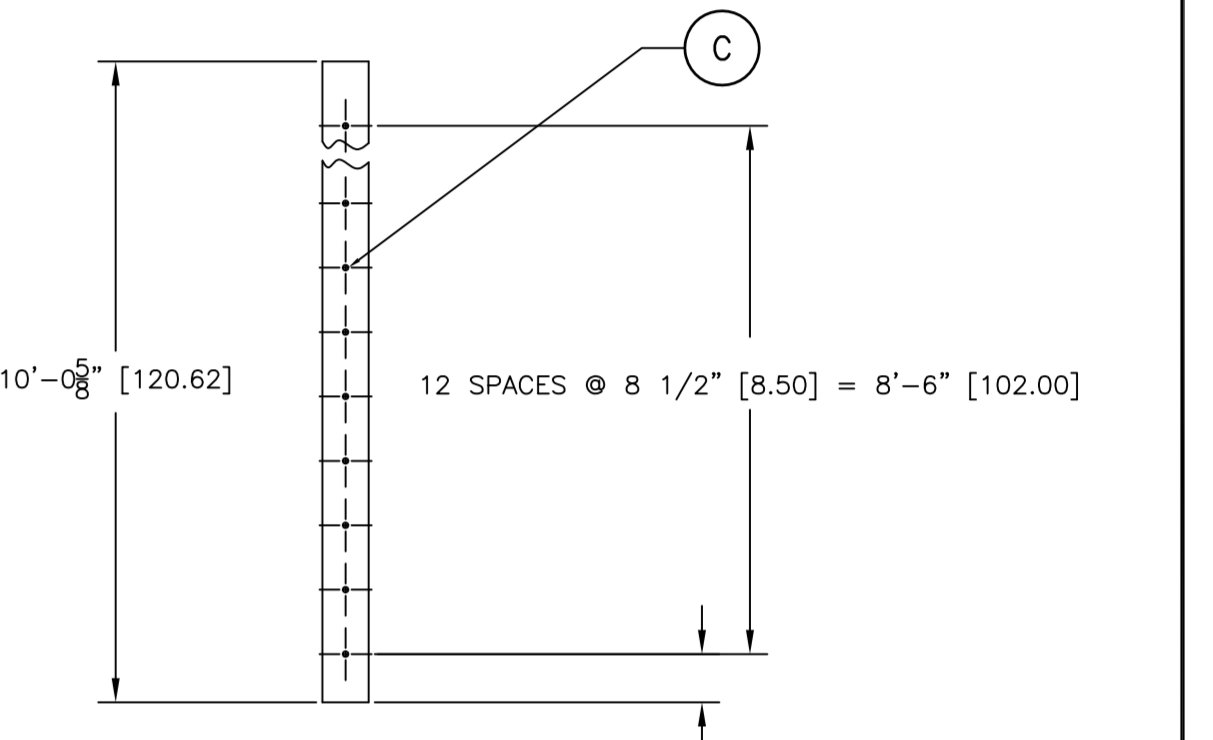
6 BULKHEAD BOARD



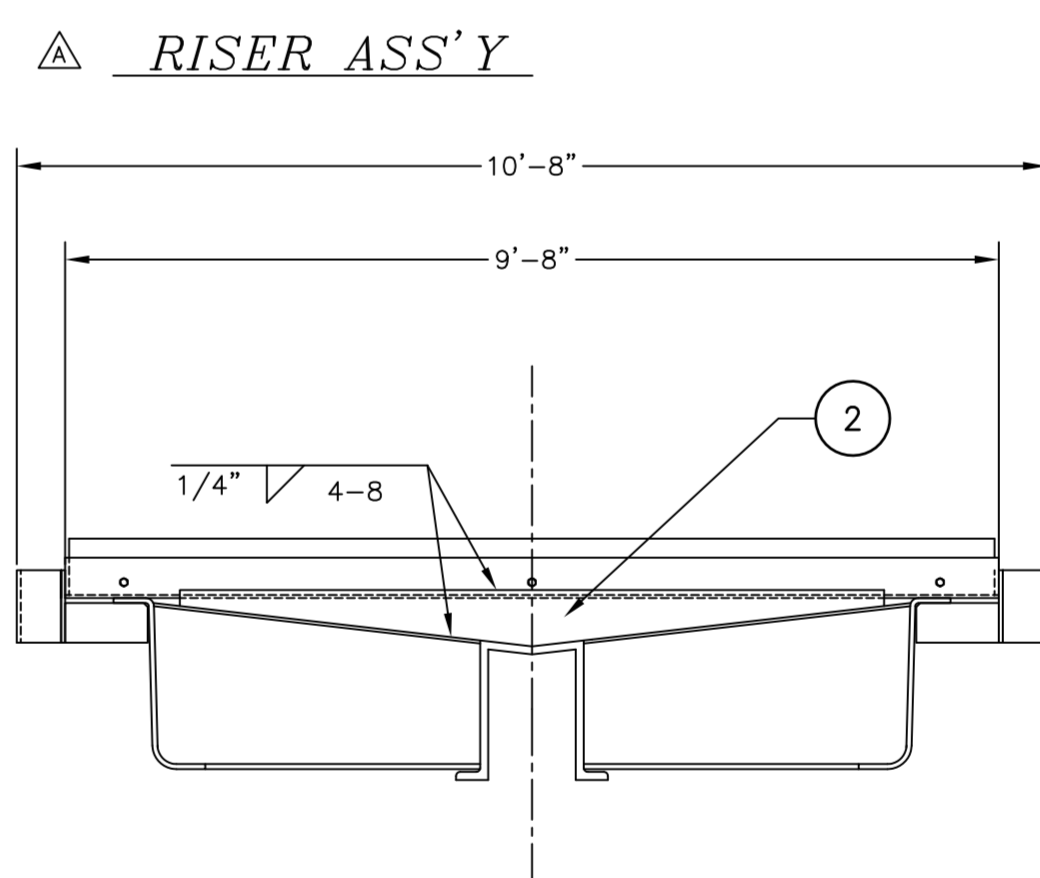
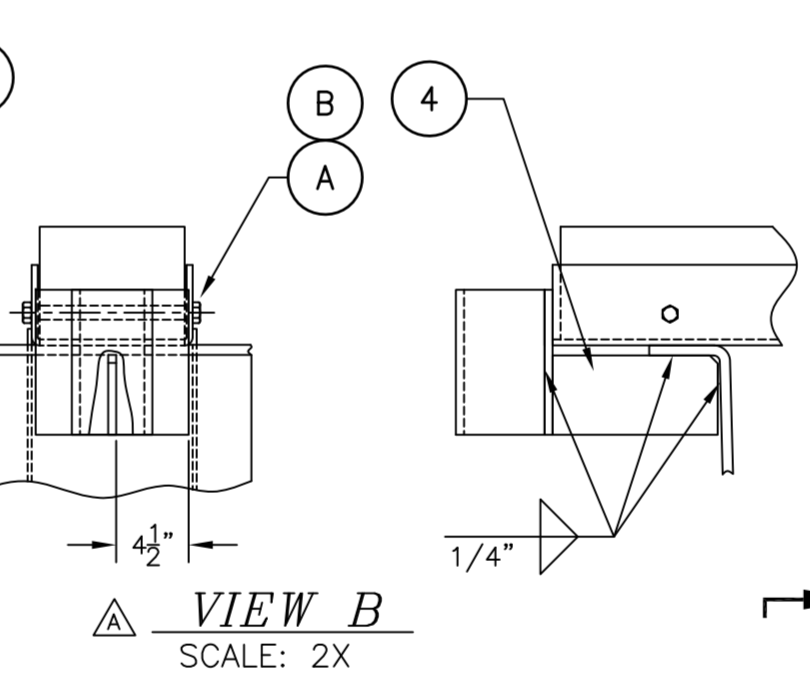
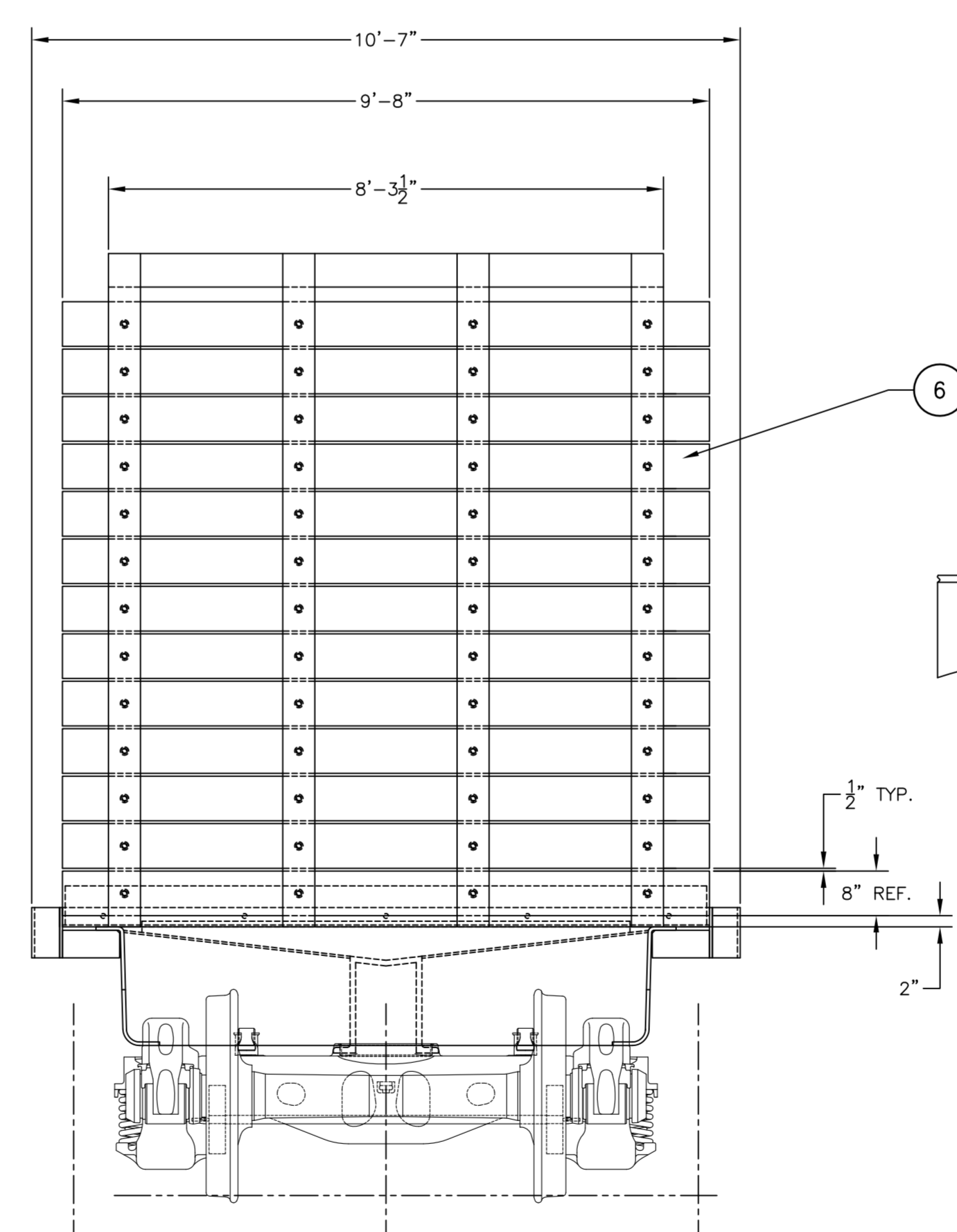
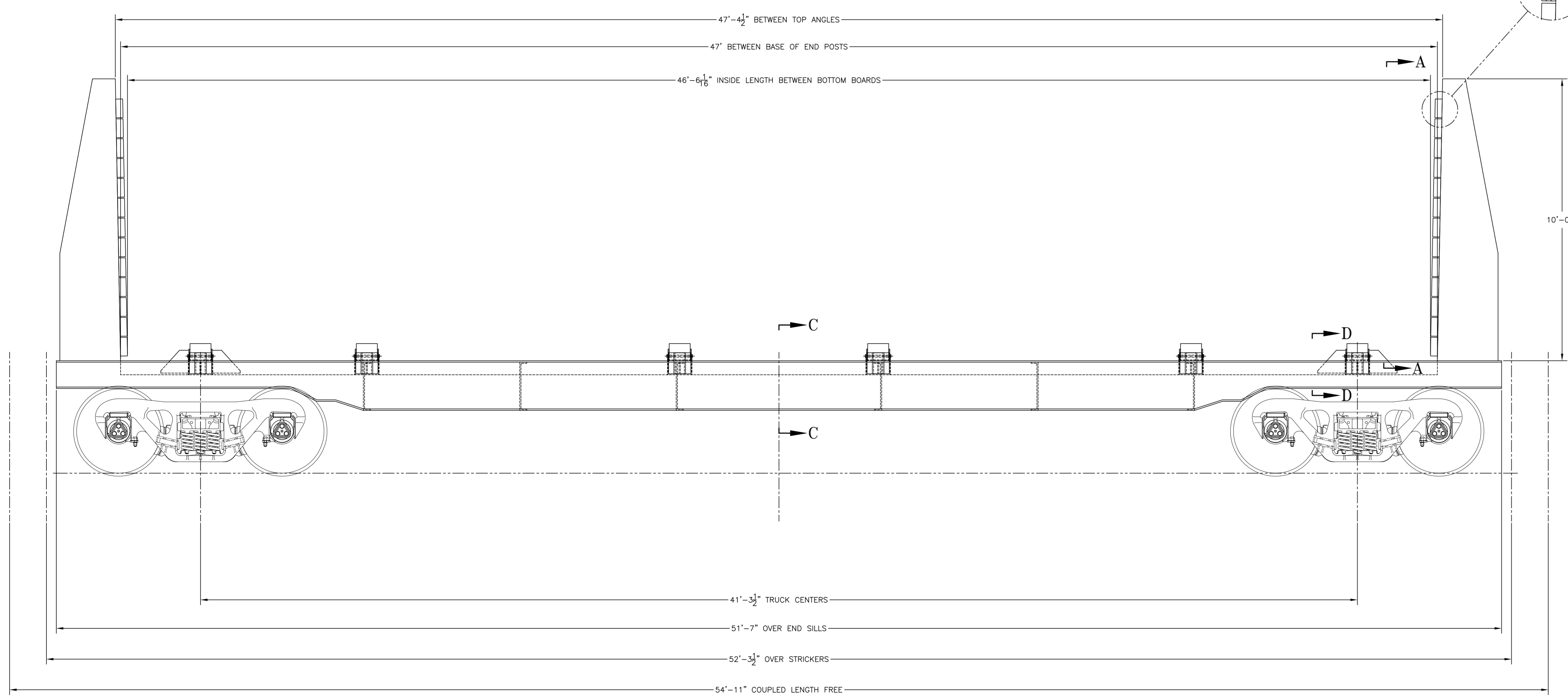
5 FLOOR RISER



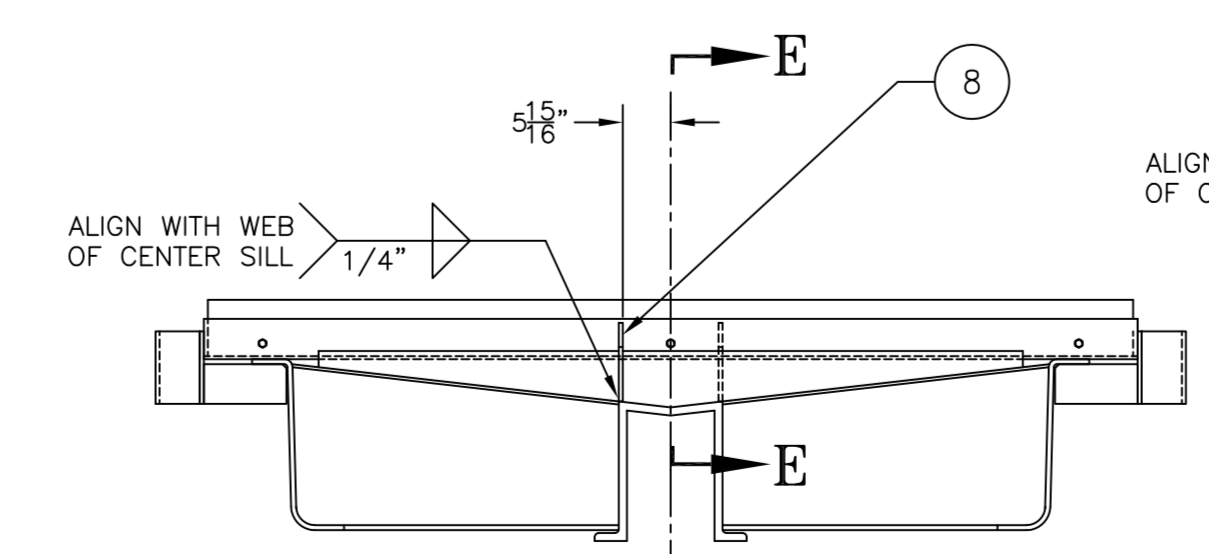
4 STAKE POCKET GUSSET
SCALE: 2X



VIEW A-A: BULKHEAD POST
ONE POST SHOWN FOR CLARITY, AND BULKHEAD BOARDS NOT SHOWN, BASE STUDS TO BE MOUNTED ON BULKHEAD POST AS SHOWN.



NOTE:
LOCATE RISER ASS'Y ON CAR BODY AS SPECIFIED, THEN PLACE ITEM #2 IN PLACE TO BE WELDED TO CAR BODY AND RISER ASS'Y.



SECTION D-D

SECTION E-E

NOTES:
1.) SIDE BEARINGS TO BE REPLACED WITH MINER LONG TRAVEL DESIGN, MODEL #TTCC-III-60 LT

DESCRIPTION	VENDOR	VENDOR NUMBER	QTY. ASSY	PART NUMBER
E LOCKNUT - 1/2-13 UNC			104	MT01-01-E
D WASHER - 1/2"			104	MT01-01-D
C BASE STUD - 1/2-13 X 2 3/4" LG. - TYPE CPL	NELSON	101-017-324	104	MT01-01-C
B LOCKNUT - 3/4-10 UNC			30	MT01-01-B
A BOLT - 3/4-10 X 11" LG.			30	MT01-01-A

PURCHASED PARTS

DESCRIPTION/BLANK SIZE	MATERIAL	QTY. ASSY	PART NUMBER
13		X	MT01-01-13
12		X	MT01-01-12
11		X	MT01-01-11
10		X	MT01-01-10
9		X	MT01-01-09
8 GUSSET - 1/2" X 9 3/4" X 1'-0" LG.	A36	4	MT01-01-08
7 RISER END CAP - 1/2" X 9" X 9 1/2" LG.	A36	12	MT01-01-07
6 BULKHEAD BOARD - 3" X 8" X 9'-8" LG.	WHITE OAK	26	MT01-01-06
5 FLOOR RISER - 7" X 9" X 9'-7" LG.	WHITE OAK	6	MT01-01-05
4 STAKE POCKET GUSSET - 1/2" X 4" X 10 1/4" LG.	A36	12	MT01-01-04
3 STAKE POCKET - 1/2" X 9" X 1'-2 1/4" LG.	A36	12	MT01-01-03
2 RISER SIDE SUPPORT - 1/4" X 7" X 7'-3 1/2" LG.	A36	12	MT01-01-02
1 RISER CHANNEL - 10" X 10" TUBE X 9'-8" (ONE MAKES TWO)	A36	3	MT01-01-01

LIST OF MATERIALS

REV.	BY	DATE	TCK	2-8-06	SCALE:	NEXT ASSEMBLY NO.	DRAWING NO.	SHT.
A	EBT	10/21/04			1=12		MT01-01	1/1

Transportation Technology Services
1723 E. Southlake Blvd., Suite 200
Southlake, TX 76092

BULKHEAD FLAT PIPE ASSEMBLY