

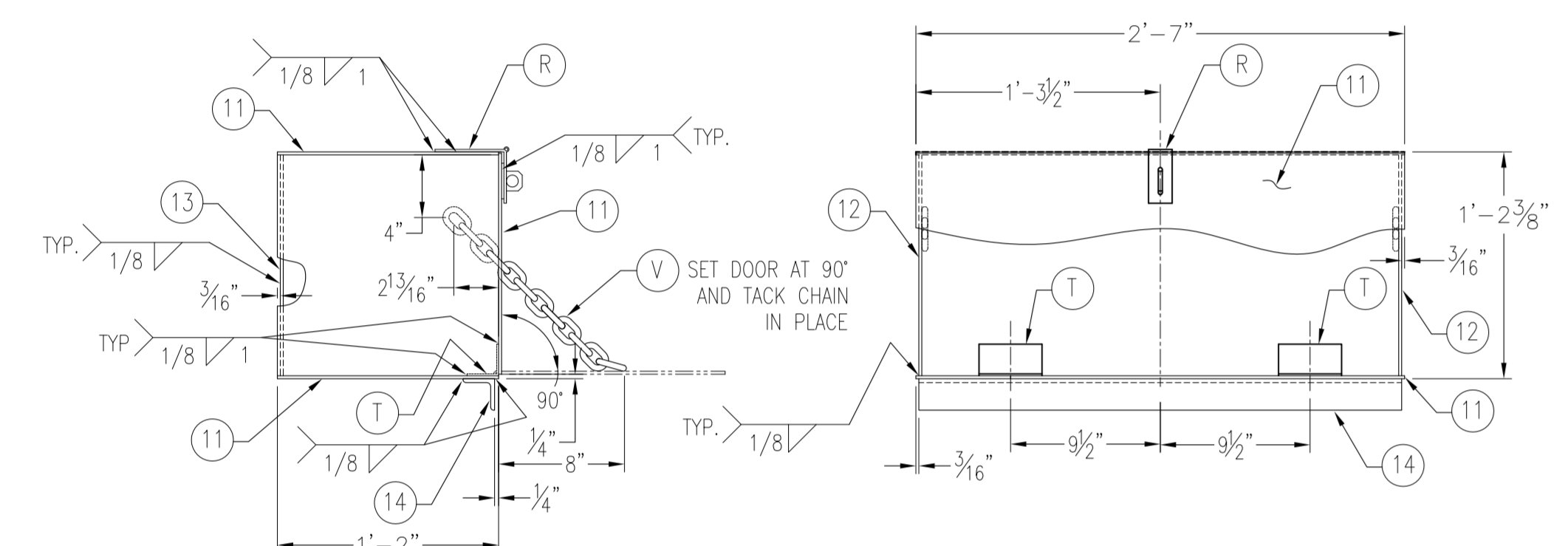
1 CLIP INBOARD

2 ANGLE SUPPORT
2X SCALE

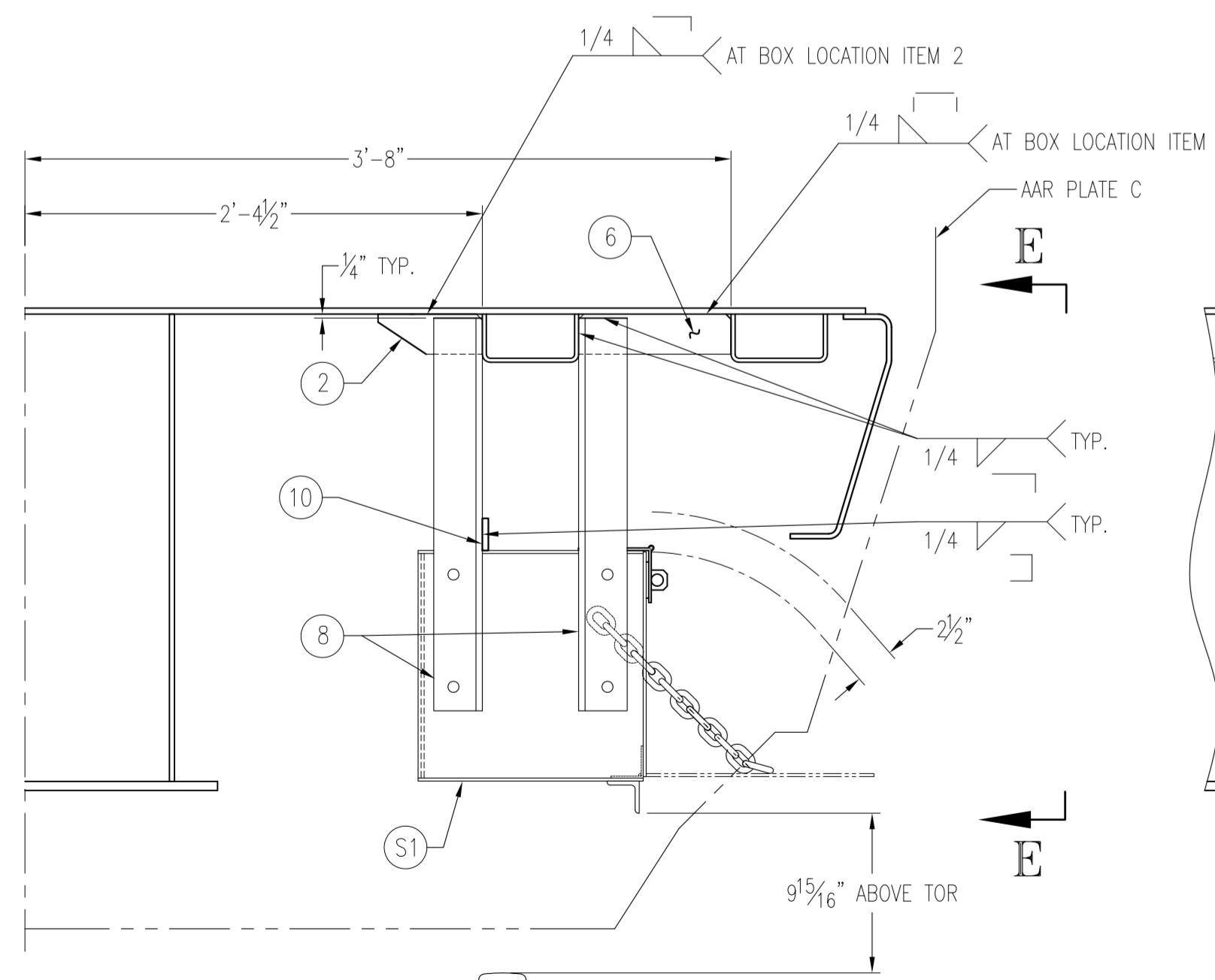


3 REF DECK PLT OUTBOARD

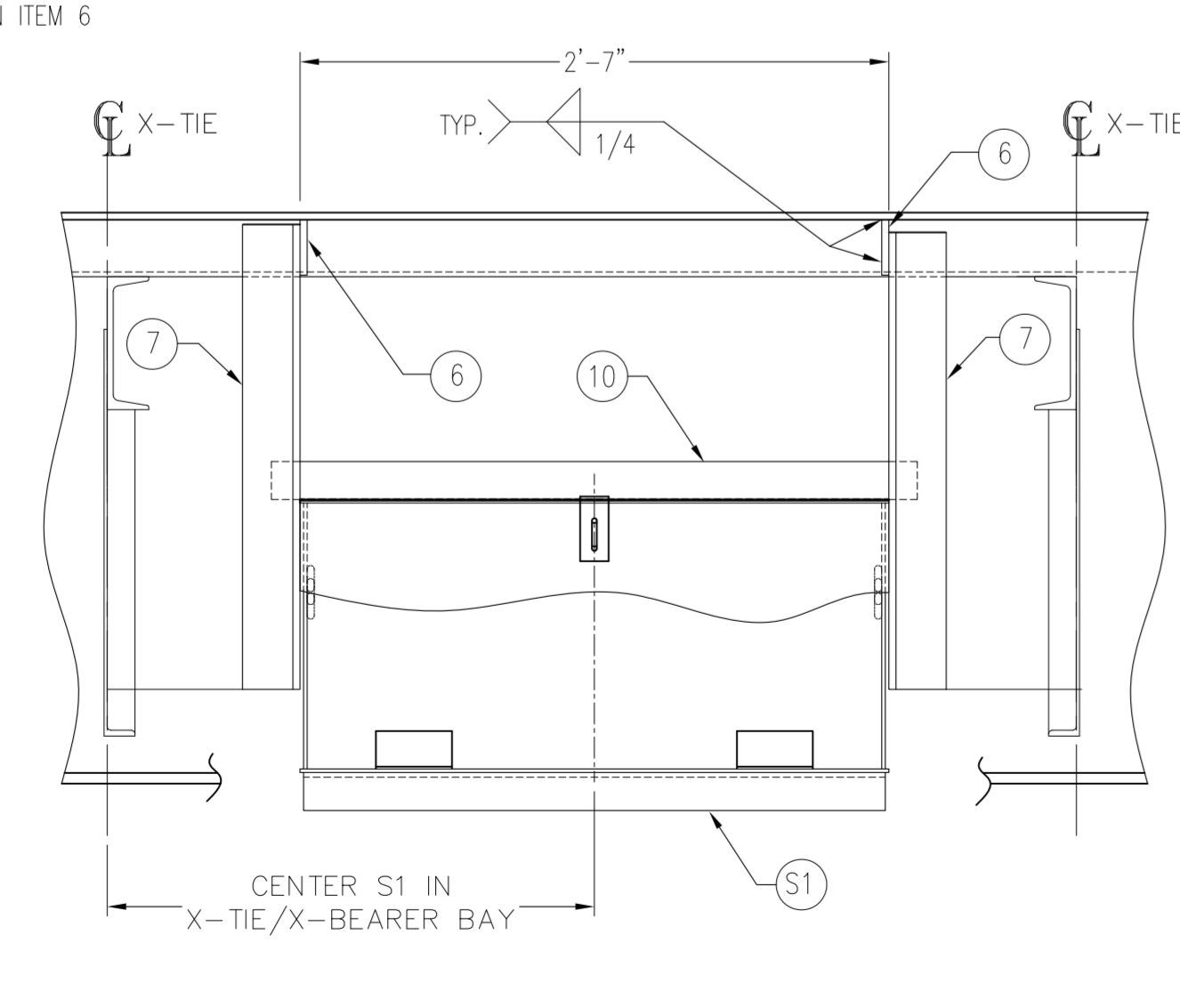
4 ANGLE SUPPORT
2X SCALE



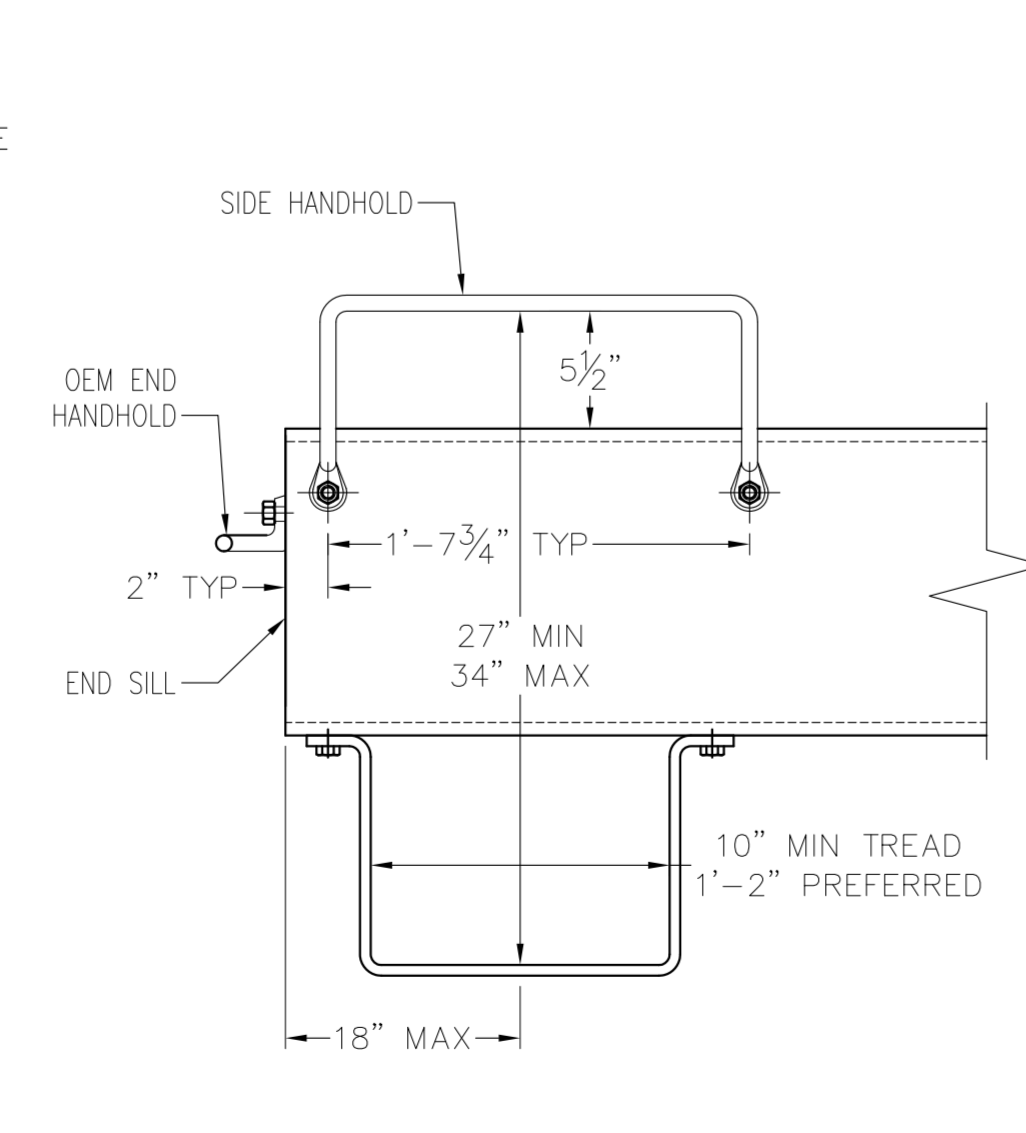
5 TOOLBOX ASSY



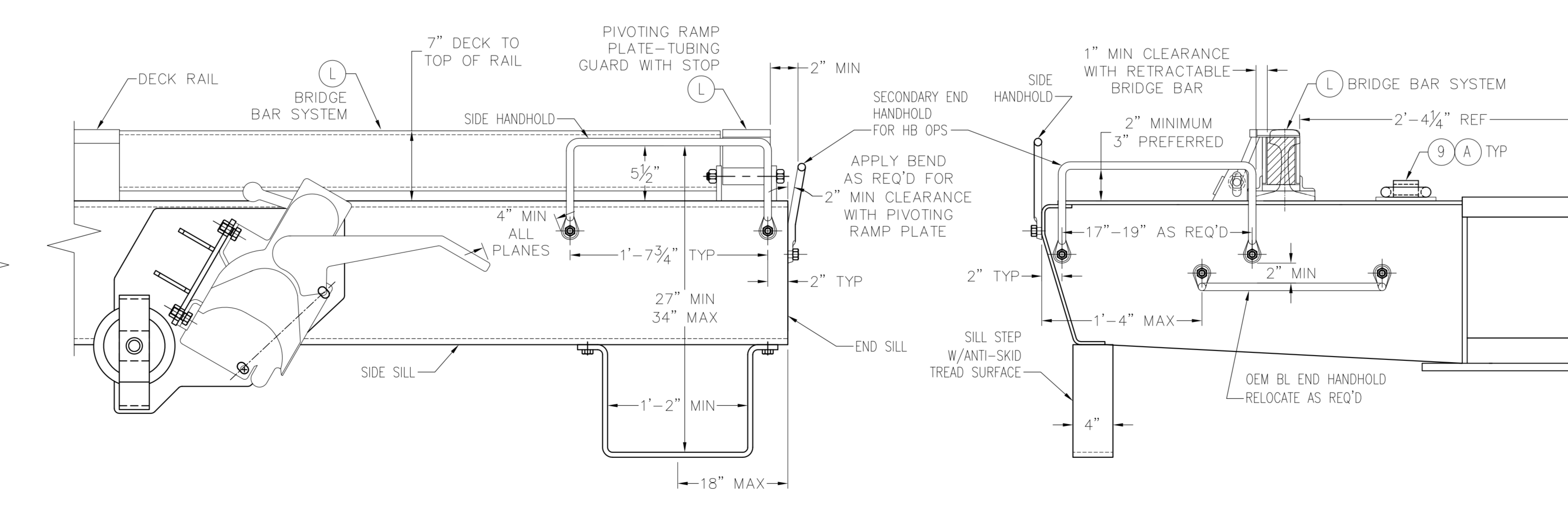
SECTION D-D



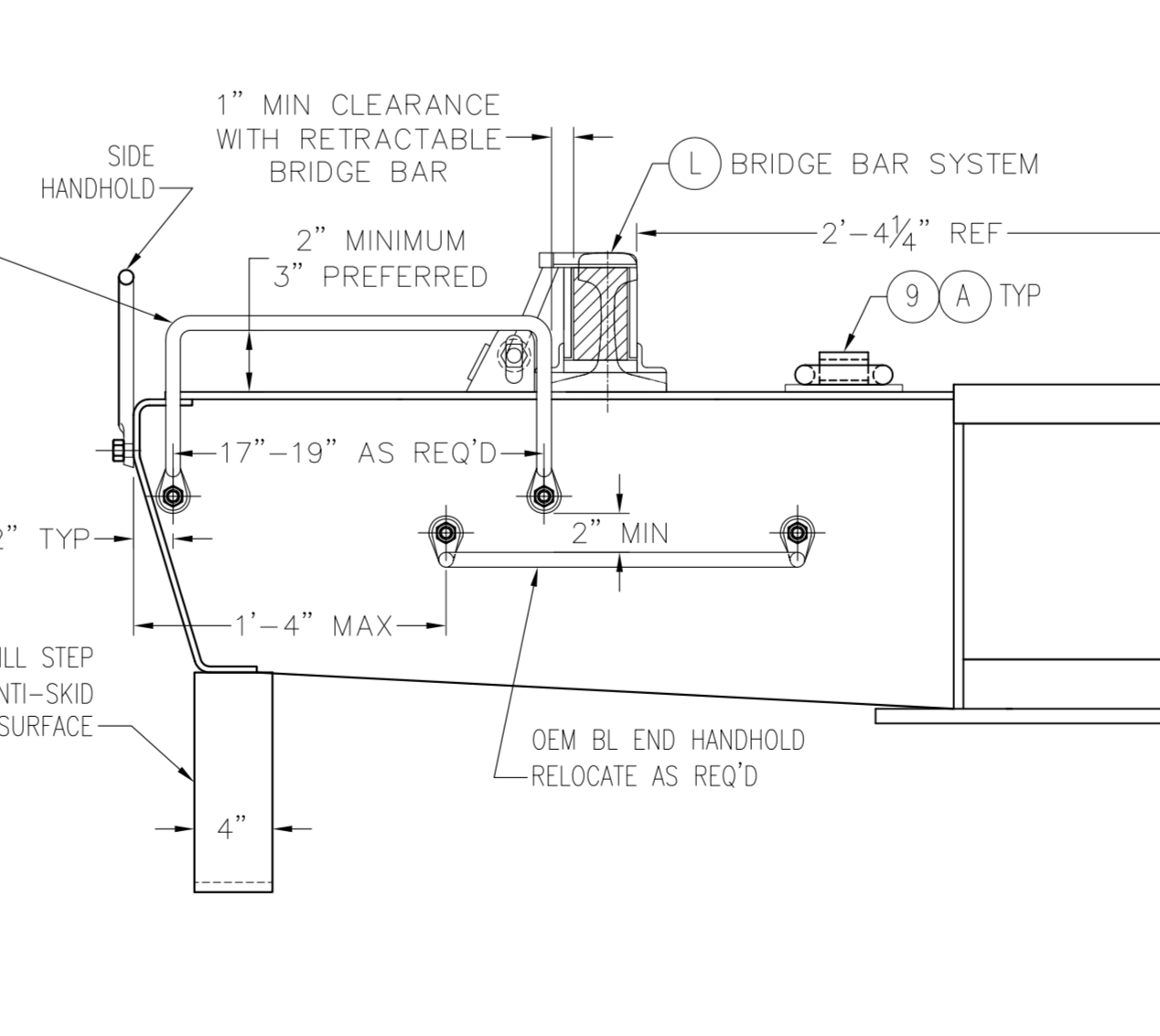
VIEW E-E



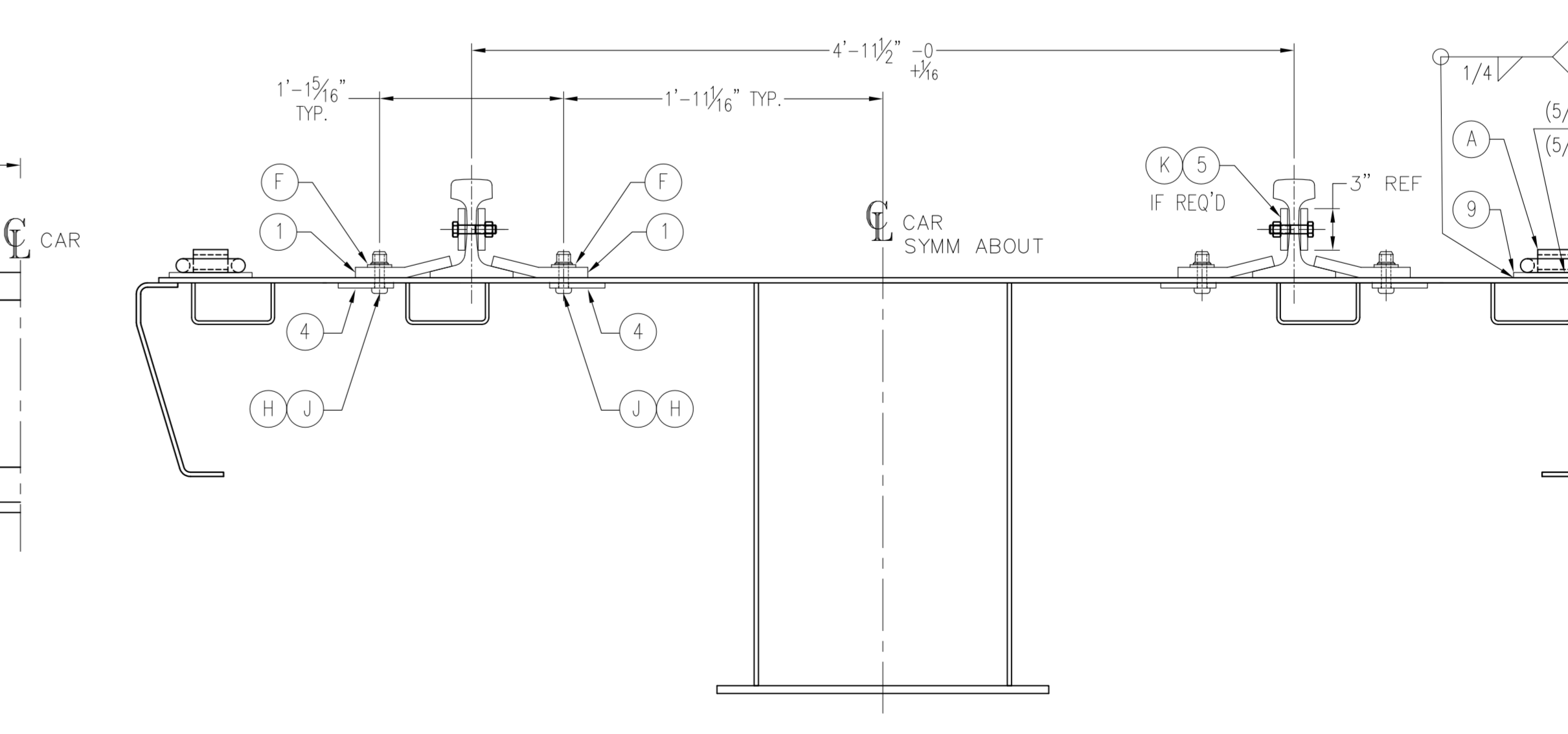
VIEW H-H
TYPICAL - 3 CORNERS



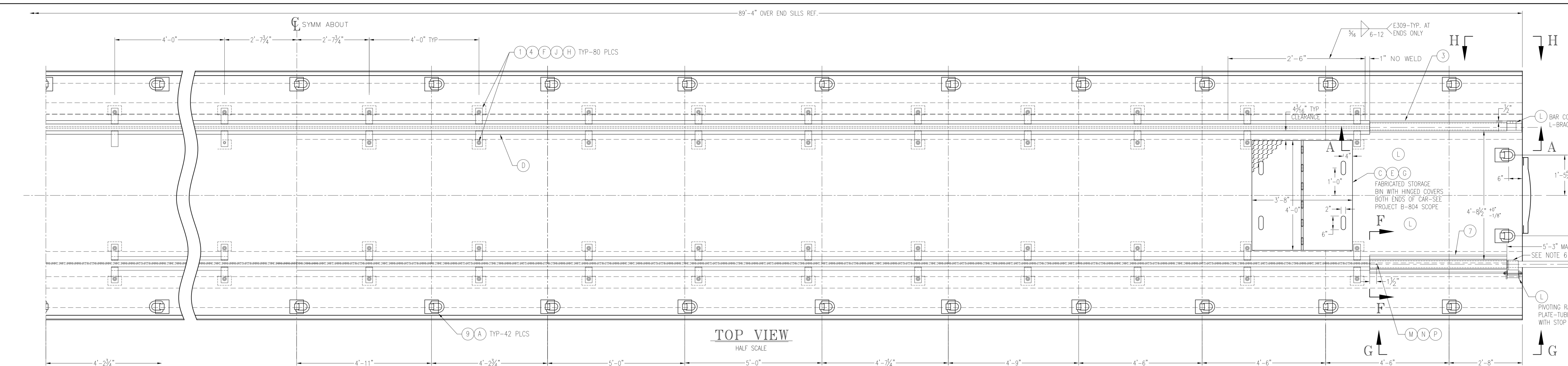
VIEW G-G
BL CORNER - SIDE VIEW



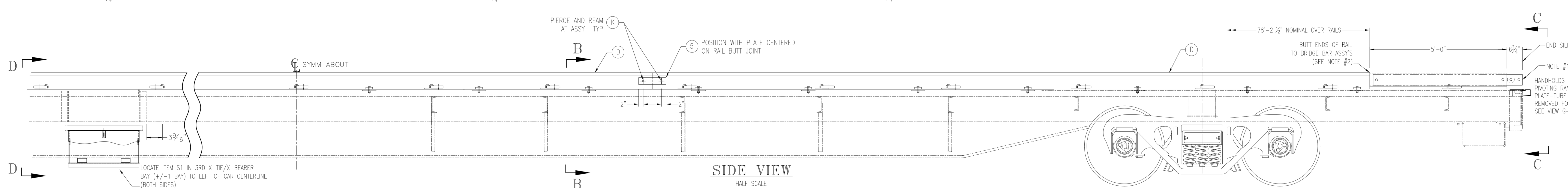
VIEW C-C
BL CORNER - END VIEW



SECTION B-B

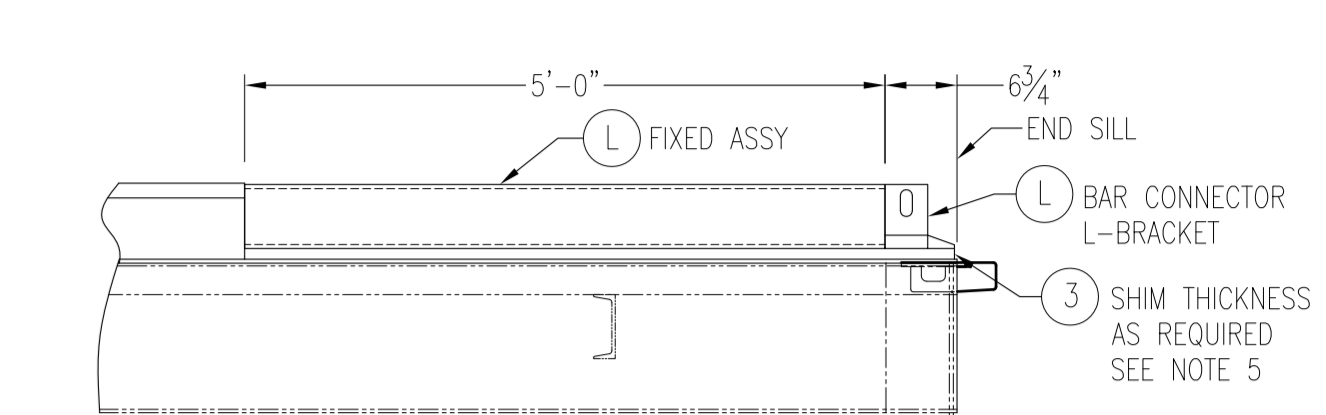


TOP VIEW
HALF SCALE

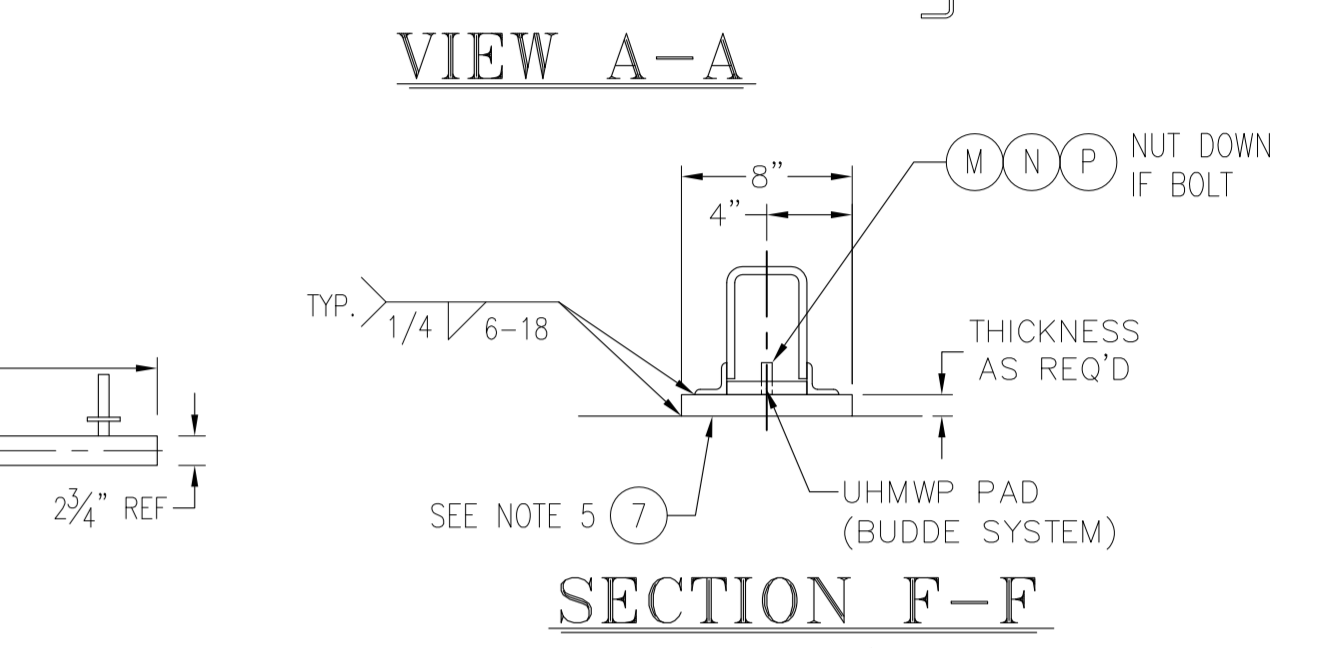


SIDE VIEW
HALF SCALE

- NOTES:
- THIS DRAWING SHALL BE USED IN CONJUNCTION WITH BNSF PROJECT SCOPE B-804.
 - BRIDGE BAR SHALL RETRACT FLUSH WITH END OF CAR DURING TRANSPORTATION PER FRA REGULATIONS.
 - SPLICED RAIL ENDS TO BE SQUARE & FLUSH AGAINST EACH OTHER. SPLICED RAIL LENGTHS SHALL NOT BE LESS THAN 21' AND MUST SPAN AT LEAST 5 RAIL CLIPS. GRIND TOP SURFACES FOR SMOOTH TRANSITION, AS REQ'D.
 - DO NOT MIX 132# AND 136# RAIL ON THE SAME CAR.
 - ITEMS 3 & 7 - 1/4" TYPICAL SHIM THICKNESS FOR 115# RAIL AND 1" SHIM FOR 132# OR 136# RAIL.
 - GAUGE SIDE OF RAMP PLATE-TUBING GUARD MUST NOT EXTEND BEYOND FACE OF BRIDGE TUBE (FLUSH MAX).



VIEW A-A



SECTION F-F
BRIDGE BAR NOT SHOWN

NO.	DESCRIPTION	VENDOR	VENDOR #	QTY.	PART NUMBER
V	STEEL CHAIN - .25 x 145"	MCMASTER CARR	3593T19	4	GRS06-3-V
T	HINGE 4" x 4"	MCMASTER CARR	16175A35	4	GRS06-3-T
R	HASP - 3/4" EYE ID	MCMASTER CARR	1543444	2	GRS06-3-R
P	LOCK NUT - 1/2"			1/END	GRS06-3-P
N	1/2" WASHER			1/END	GRS06-3-N
M	STUD/BOLT - 1/2" x 1 1/2"			1/END	GRS06-3-M
L	BRIDGE BAR SYSTEM, END OF CAR	BUDDER ENTERPRISES		1/END	GRS06-3-L
K	HEX BOLT, GR 5 W/NUT - LENGTH AS REQ'D			AR	GRS06-3-K
J	HUCK PIN - CS0LR-BR20-24			80	GRS06-3-J
H	HUCK COLLAR - 3LC-2R2DG			80	GRS06-3-H
G	EXPANDED STEEL, 3/4"-NO.10 STD	STORAGE BIN		85F	GRS06-3-G
F	WASHER - .14 x #12	MCMASTER CARR	92140A122	80	GRS06-3-F
E	PLATE, DIAMOND-1/8" STEEL (MEDIUM PATTERN)	STORAGE BIN		155F	GRS06-3-E
D	RAIL (115# MIN / 136# MAX) - 78'-2 1/2" OAL			2	GRS06-3-D
C	ANGLE - L1-1/2" x 1-1/2" x 1/4" A36	STORAGE BIN		80	GRS06-3-C
B	WHEEL CHOCKS	P&R	901-1997	8	GRS06-3-B
A	D-RING AND CLIP	PORTEC	10613690	42	GRS06-3-A

NO.	DESCRIPTION	VENDOR	VENDOR #	QTY.	PART NUMBER
PURCHASED PARTS					
14	SUPPORT-TOOLBOX - L2" x 2" x 1/2" x 30 3/8"	A36		2	GRS06-3-14
13	BACK COVER-TOOLBOX - 3/8" x 14 x 30 3/8"	A36		2	GRS06-3-13
12	SIDE COVER-TOOLBOX - 3/8" x 14" x 14"	A36		4	GRS06-3-12
11	FRONT/TOP/BOTTOM COVER-TOOLBOX - 3/8" x 14" x 31"	A36		6	GRS06-3-11
10	REINFORCEMENT BAR - 3/8" x 2" x 2'-10"	A36		2	GRS06-3-10
9	D RING PLT - PLT 8" x 6" x 6"	A36		42	GRS06-3-9
8	STORAGE BOX SUPPORT - L3" x 3" x 8" x 2'-0"	A36		8	GRS06-3-8
7	SHIM - THICKNESS AS REQ'D x 8" x 5'-0"	A36		2	GRS06-3-7
6	ANGLE SUPPORT - PLT - 8" x 2 1/2" x 9 1/2"	A36		4	GRS06-3-6
5	JOINT BAR - PLT - 1/2" x 3" x 12"	A36		AR	GRS06-3-5
4	REF DECK PLT (UNDERSIDE) - PLT - 3" x 4" x 6"	A36		80	GRS06-3-4
3	SHIM - THICKNESS AS REQ'D x 5" x 5'-6 1/2"	A36		2	GRS06-3-3
2	ANGLE SUPPORT - PLT - 8" x 2 1/2" x 6 1/2"	A36		4	GRS06-3-2
1	CLIP INBOARD - PLT 8" x 3" x 7"	A36		80	GRS06-3-1

NO.	DESCRIPTION	MATERIAL	QTY.	PART NUMBER
STEEL PARTS				
S1	TOOLBOX ASSY		2	GRS06-3-S1

NO.	DESCRIPTION	QTY.	PART NUMBER
ASSEMBLIES			

NO.	DESCRIPTION	QTY.	PART NUMBER
ASSEMBLIES			

NO.	DESCRIPTION	QTY.	PART NUMBER
ASSEMBLIES			

NO.	DESCRIPTION	QTY.	PART NUMBER
ASSEMBLIES			

NO.	DESCRIPTION	QTY.	PART NUMBER
ASSEMBLIES			

NO.	DESCRIPTION	QTY.	PART NUMBER
ASSEMBLIES			

NO.	DESCRIPTION	QTY.	PART NUMBER
ASSEMBLIES			

NO.	DESCRIPTION	QTY.	PART NUMBER
ASSEMBLIES			

ALL INFORMATION CONTAINED HEREIN IS THE PROPERTY OF TRANSPORTATION TECHNOLOGY SERVICES, INC. AND SHALL NOT BE USED, DISTRIBUTED OR COPIED WITHOUT WRITTEN CONSENT FROM SAID COMPANIES.

COPYRIGHT 2006 TRANSPORTATION TECHNOLOGY SERVICES, INC.
 DATE: 9/29/06
 DRAWN BY: EBT
 CHECKED BY: [Signature]
 1723 E Southlake Blvd, Ste. 200
 Southlake, TX 76092

BNSF GANG FLATS BETH.
GENERAL ARRANGEMENT
 SCALE: 1=8"
 DRAWING NO. GRS06-3
 SHEET 1/1