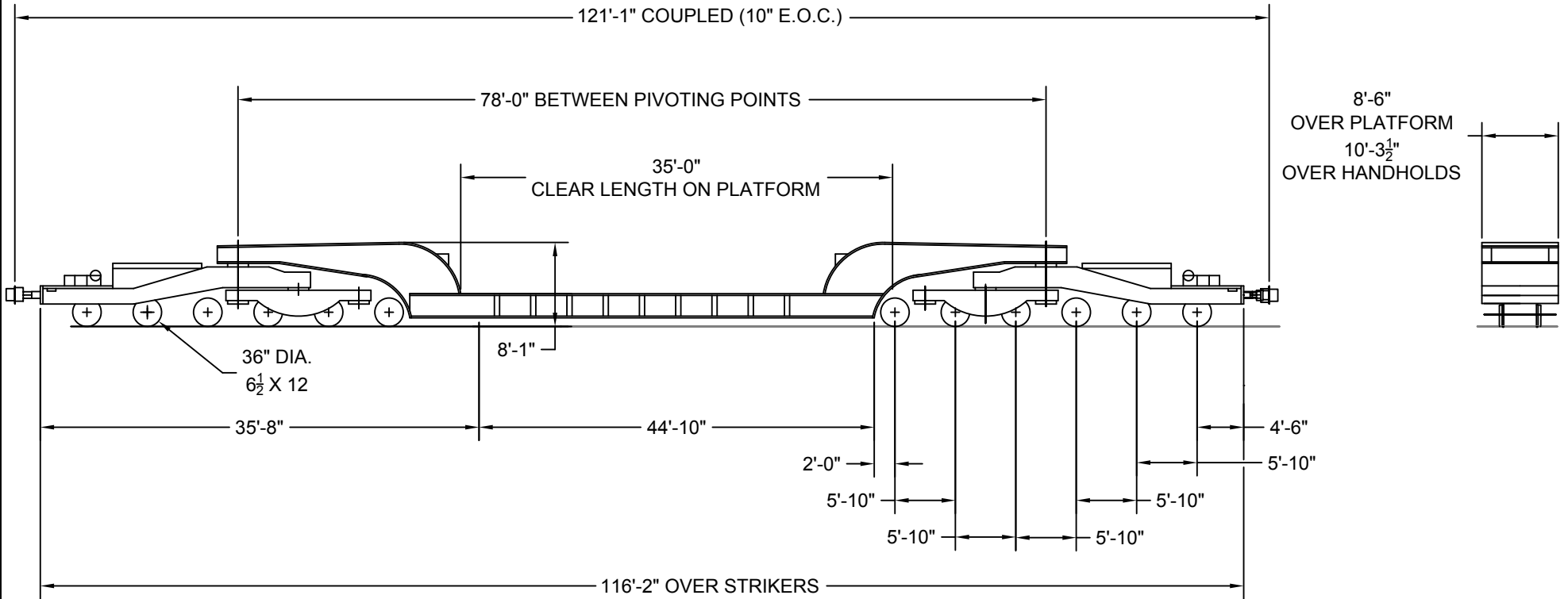


3'-4" DECK HEIGHT ABOVE RAIL IS MEASURED AT CENTER OF CARBODY, INCLUDING CAMBER, WITH A LOAD EQUAL TO 50% OF LOAD LIMIT UNIFORMLY DISTRIBUTED OVER FULL LENGTH OF DEPRESSED DECK.



MAXIMUM WEIGHT OF PARTIAL LENGTH LOADS

LOAD LENGTH (FT) (b)	LOAD (1000) (LBS) (P)
0	437.0*
2	442.6
4	448.5
6	454.4
8 & OVER	LOAD LIMIT

* MAX. CONCENTRATED LOAD

CENTER OF GRAVITY - EMPTY = 39.4" ATR
 CLEARANCE PROFILE WITHIN AAR PLATE "C"

CAR NUMBER	LOAD LIMIT LBS.	LIGHT WEIGHT LBS.
130975	459,200	329,500

CAR NUMBER QTTX 130975

TTX		TTX COMPANY CHICAGO, ILLINOIS	
230 TON, 35 FOOT DECK DEPRESSED CENTER FLAT CAR			
CLASS VDH35	DATE 04-04-01	REV D	12150